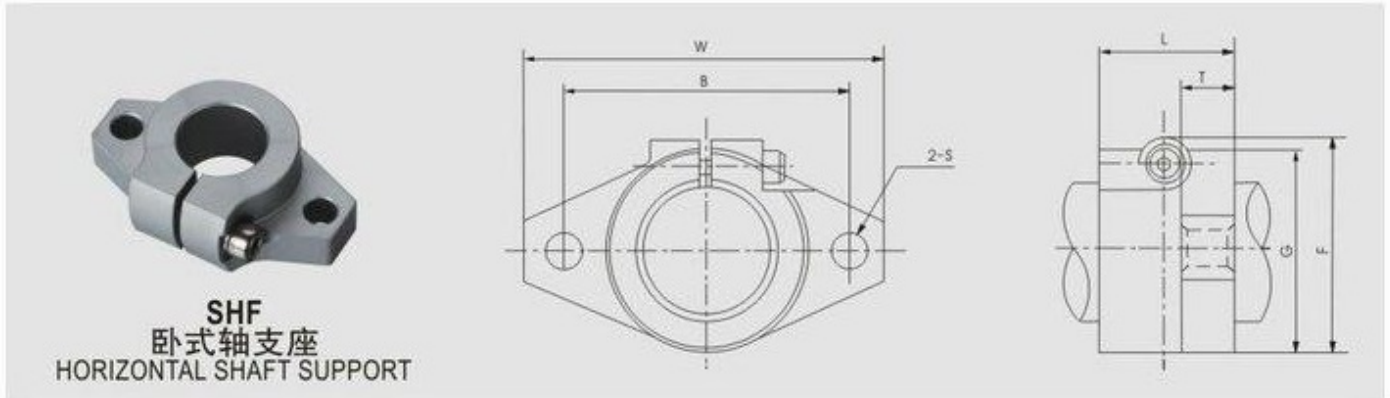


SHF卧式轴支座
SHF Horizontal shaft support



型号 MODEL NO.	轴径 SHAFT DIAMETER	主要尺寸 MAIN DIMENSIONS							锁紧螺栓 DESIGNATION OF CLAMPING BOLT	安装螺栓 DESIGNATION OF MOUNTING BOLT	重量 WEIGHT (Kg)
		W	L	T	F	G	B	S			
SHF3	3	43	10	5	24	20	32	5.5	M4	M5	0.013
SHF4	4	43	10	5	24	20	32	5.5	M4	M5	0.013
SHF5	5	43	10	5	24	20	32	5.5	M4	M5	0.013
SHF6	6	43	10	5	24	20	32	5.5	M4	M5	0.013
SHF8	8	43	10	5	24	20	32	5.5	M4	M5	0.013
SHF10	10	43	10	5	24	20	32	5.5	M4	M5	0.013
SHF12	12	47	13	7	28	25	36	5.5	M4	M5	0.020
SHF13	13	47	13	7	28	25	36	5.5	M4	M5	0.020
SHF16	16	50	16	8	31	28	40	5.5	M4	M5	0.027
SHF20	20	60	20	8	37	34	48	7	M5	M6	0.040
SHF25	25	70	25	10	42	40	56	7	M5	M6	0.060
SHF30	30	80	30	12	50	46	64	9	M6	M8	0.110
SHF35	35	92	35	14	58	50	72	12	M8	M10	0.380
SHF40	40	102	40	16	67	56	80	12	M10	M10	0.510
SHF50	50	122	50	19	83	70	96	14	M12	M12	0.890



CENTRAL DE ATENDIMENTO:

11 3379-8863 / 11 3379-8836
11 94727-5173 / 11 94727-5164
11 94727-6241

vendas@uptechbrasil.com