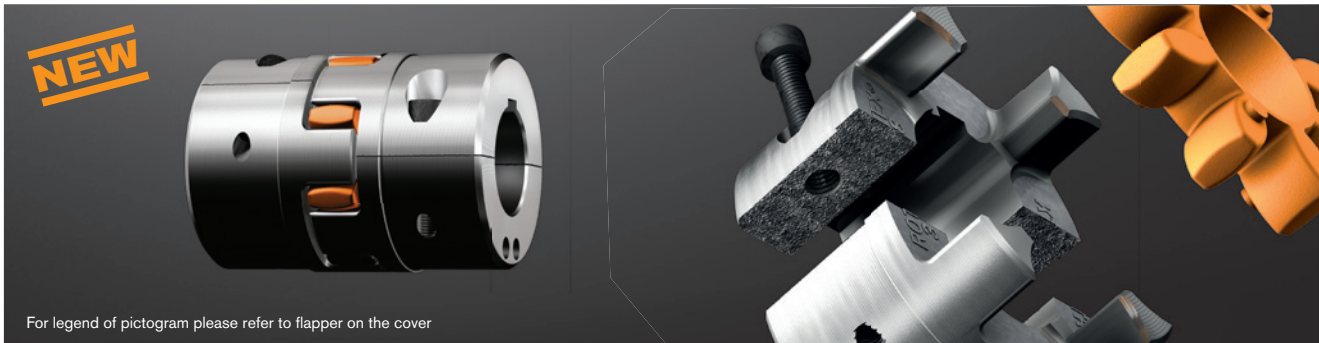
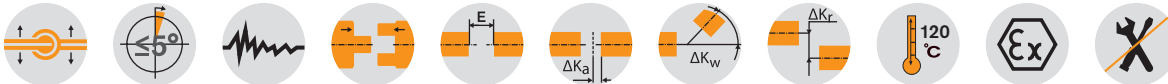


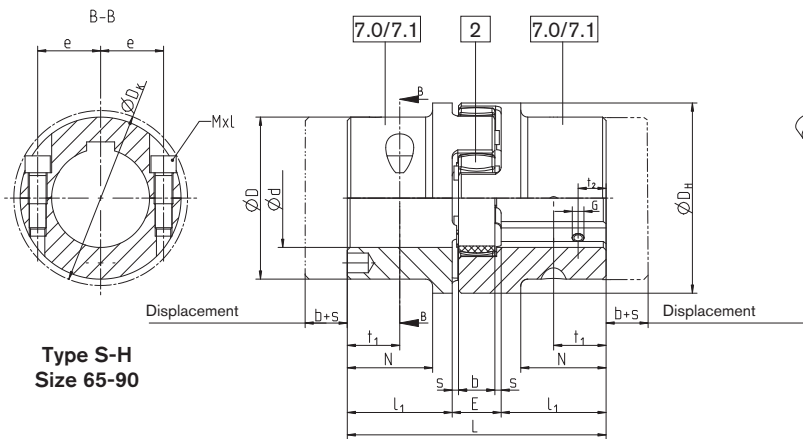
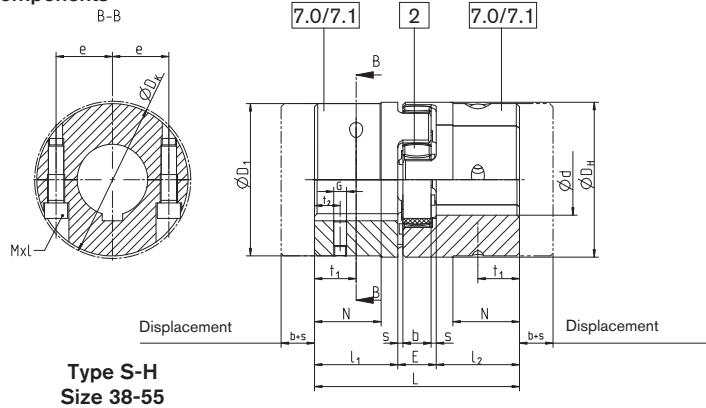
Drop-out center design coupling with SPLIT hubs



For legend of pictogram please refer to flapper on the cover



Components



ROTEX® Type S-H																			
Size	Finish bore $\varnothing d$ [mm]		Dimensions [mm]														Cyl. screws DIN EN ISO 4762		
	minimum	maximum	L	$l_1; l_2$	E	b	s	D_H	D_1	D_K	N	e	t_1	t_2	G	Mxl	Tightening torque T_A [Nm]		
38	24	45	114	45	24	18	3	80	78	83,5	37	30	22,5	15		M8	34		
42	24	55	126	50	26	20	3	95	94	97	40	30	25			M10x30	67		
48	24	60	140	56	28	21	3,5	105	104	108,5	45	35	28			M12x35	115		
55	24	70	160	65	30	22	4	120	118	122	52	40	32,5	20		M12x40	115		
65	24	70	185	75	35	26	4,5	135	115	123,5	61	45	37,5		M10	M12x40	115		
	70	80							135	132,5		50							
75	40	80	210	85	40	30	5	160	135	147	69	51	42,5	25		M16x50	290		
	80	90							160	158		57							
90	40	90	245	100	45	34	5,5	200	160	176	81	60	50	30	M12	M20x60	560		
	90	110							200	197		72							

7.0= SPLIT hub without feather keyway
7.1= SPLIT hub with feather keyway

Ordering example:	ROTEX® 38	S-H	98 Sh-A	7.1	Ø 38	7.1	Ø30
	Coupling size	Type	Spider hardness	Hub type	Finish bore	Hub type	Finish bore