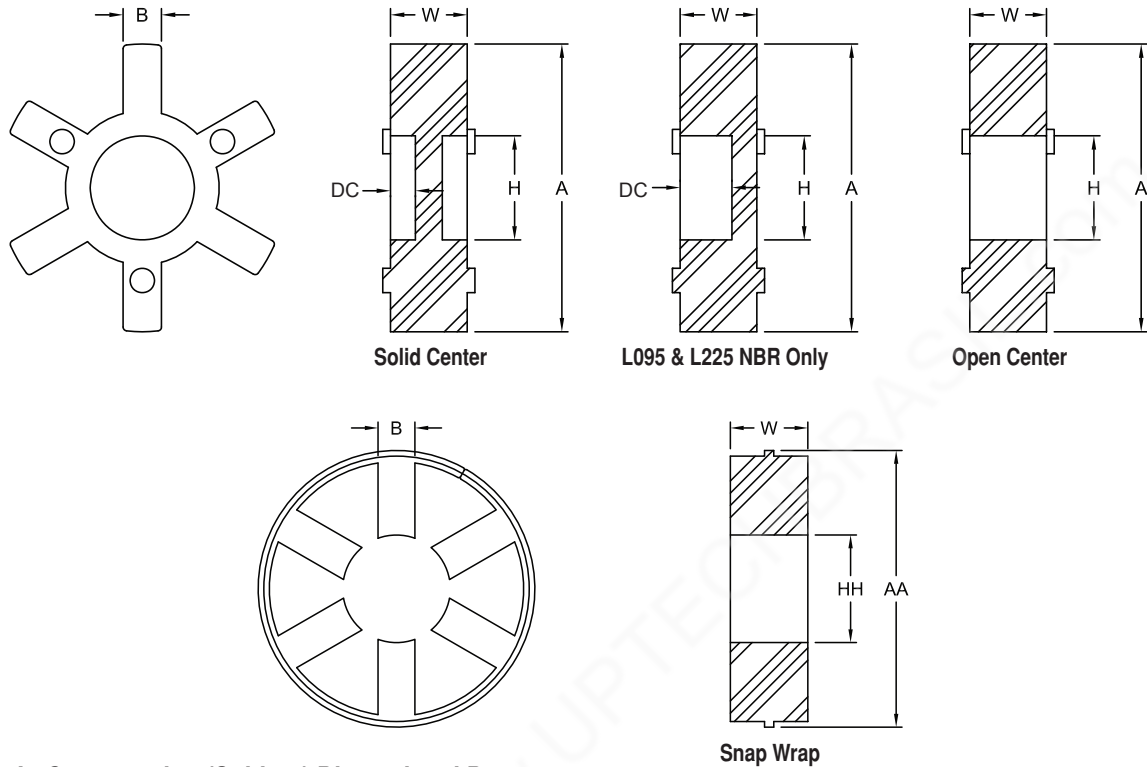


Elastomers In Compression (Spiders)

JW



Elastomers In Compression (Spiders) Dimensional Data

Size	Material Available				A in	DC in	H in	Material Available				Material				W in	B in			
	NBR	Urethane	Hytrel®	Bronze				NBR	Urethane	Hytrel®	Bronze	NBR	URE	HYT	BRZ			AA	HH	
	SOX	URE	HYT	BRZ				SOX	URE	HYT	BRZ	in	in	in	in			in	in	
L035	X	—	—	—	0.62	—	—	—	—	—	—	—	—	—	—	N/A	—	—	0.28	0.21
L050	X	X	X	—	1.07	—	—	—	—	—	X	1.07	0.31	0.31	N/A	—	—	0.42	0.27	
L070	X	X	—	—	1.38	—	—	X	X	X	X	1.38	0.50	0.50	N/A	—	—	0.42	0.27	
L075	X	—	—	—	1.75	—	—	X	X	X	X	1.75	0.75	0.75	N/A	—	—	0.44	0.27	
L090/L095	X	—	—	—	2.12	0.18	0.88	X	X	X	X	2.12	0.88	0.75	X	2.56	1.06	0.44	0.36	
L099/L100	X	—	—	—	2.54	0.25	1.03	X	X	X	X	2.54	1.03	1.03	X	3.08	1.37	0.61	0.43	
L110	X	—	X	—	3.31	NBR .25	1.19	X	X	X	X	3.31	1.18	1.38	X	3.87	1.50	0.75	0.45	
						HYT .18														
L150	X	—	X	—	3.75	NBR .31	1.25	X	X	X	X	3.75	1.25	1.125	X	4.56	1.75	0.88	0.59	
						HYT .21														
L190	X	—	X	—	4.50	NBR .31	1.38	X	X	X	X	4.50	1.38	1.38	X	5.18	2.25	0.88	0.60	
						HYT .18														
L225	X	—	X	—	4.98	NBR .38	1.75	X	X	X	X	4.98	1.75	1.75	URE	5.44	2.75	0.88	0.73	
						HYT .18														
L276	—	—	—	—	—	—	—	X	—	—	X	6.19	1.75	1.75	N/A	—	—	1.45	0.75	

Notes: ■ X indicates: Applicable.
■ See pages JW-5 and JW-9 for more information on spiders.